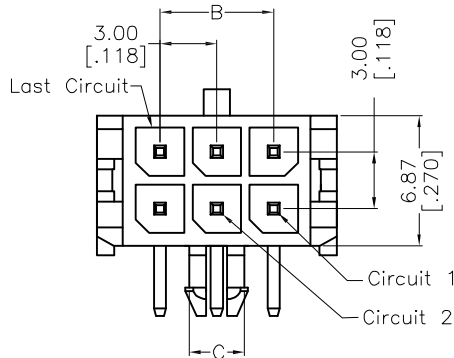
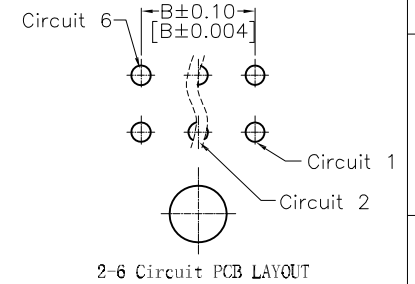
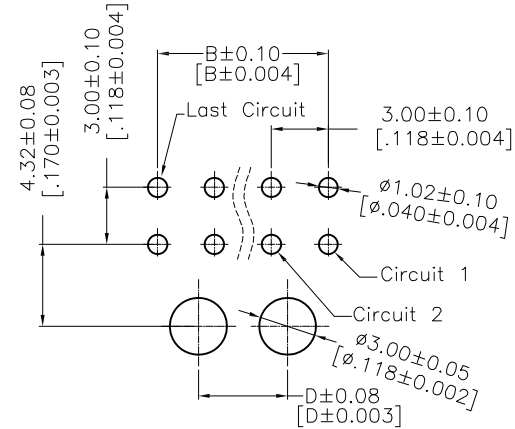


RECOMMENDED PCB LAYOUT  
TOLERANCE IS  $\pm 0.05$



RoHS  
Compliant

SPECIFICATIONS

Current Ratio: 5.0A  
Withstand voltage: 1000V AC/Min  
Working Temperature:  $-40^{\circ}\text{C} \sim +105^{\circ}\text{C}$   
Insulation Resistance:  $\geq 1000\text{M}\Omega$   
Contact Resistance:  $\leq 10\text{m}\Omega$

MATERIAL

Terminal: Copper Alloy  
Housing: LCP+30%G.F.(UL94V-0)

Circuit	A	B	C	D
02	6.65 0.262	NA	2.90 0.114	NA
04	9.65 0.380	3.00 0.118	2.90 0.114	NA
06	12.65 0.498	6.00 0.236	2.90 0.114	NA
08	15.65 0.616	9.00 0.355	7.60 0.299	4.70 0.185
10	18.65 0.735	12.00 0.473	10.60 0.418	7.70 0.303
12	21.65 0.853	15.00 0.591	13.60 0.536	10.70 0.421
14	24.65 0.971	18.00 0.709	16.60 0.654	13.70 0.539
16	27.65 1.089	21.00 0.827	19.60 0.772	16.70 0.657
18	30.65 1.207	24.00 0.945	22.60 0.890	19.70 0.776
20	33.65 1.325	27.00 1.063	25.60 1.008	22.70 0.894
22	36.65 1.443	30.00 1.181	28.60 1.126	25.70 1.012
24	39.65 1.561	33.00 1.299	31.60 1.244	28.70 1.130

Ordering Information

WJ - 1 - XX - XX - 3001 - 1 - X - X - 131

5.08P Wafer	1.DIP RA 2.DIP VT 3.SMT RA 4.SMT VT	Total PIN	Contact Plated PT: TIN G1: Gold Flash G2: 5u" G3: 10u" G4: 15u" G5: 30u"	Housing Material 1:LCP 2:Nylon 9T 3:Nylon 6T 4:PA46	Housing Color N:Natural B:Black	Packing 1: Bag 2: Tube 3: Reel 4: Reel+cap
-------------	--	-----------	--	---	---------------------------------------	--

REV.	REVISION RECORD	DATE	General Tolerance		
A	Original	03/18/16"	LINEAR 0.0 $\pm 0.35$ 0.00 $\pm 0.20$	ANGLE $\pm 3^{\circ}$	
			UNIT:mm		<b>TITLE:</b> 3.0P Wafer DIP Right Angle Dual Rows with Post 7.37H <b>DWG.NO:</b> WJ1XXXX30011XX-131 <b>REV. A</b> <b>SCALE</b> 1 : 1 <b>SHEET</b> 1 OF 1
			A4	NAME DATE	
			APPROVED	SUNNY	
			DESIGNER	TED	
			DRAWN	WING	